



Next generation of motor on-board inverter



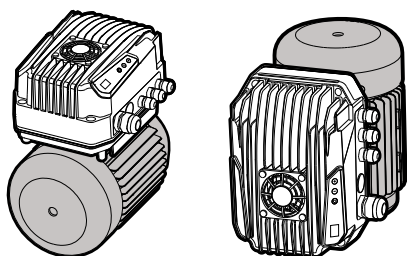
nastec.eu


NASTEC[®]
> we move it faster >

Ideal for water booster sets,
HVAC systems with circulating pumps
and control of submersible pumps

It ensures:

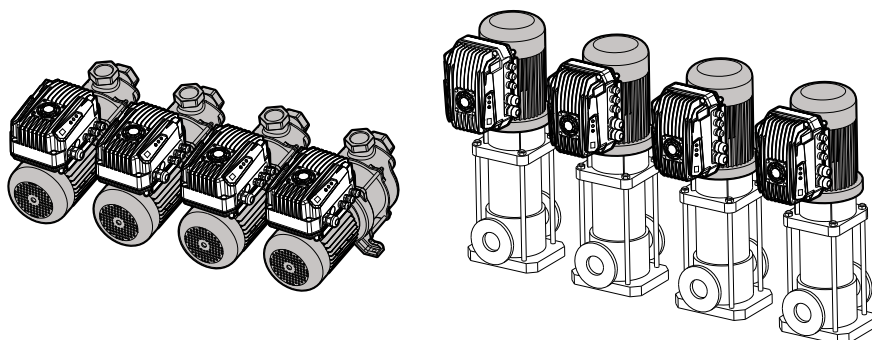
- Energy saving due to variable speed control.
- Soft start and soft stop.
- Extended system life and reliability.
- Installation on humid and dusty environments made possible by IP66 (NEMA 4X) protection degree.
- Simplified installation on motor or wall.
- Easy and fast commissioning thanks to initial configuration wizard.
- High thermal and mechanical performance thanks to aluminium case and independent ventilation.



MIDA can be installed directly on motor terminal box of horizontal or vertical axis pumps

Multi-pump operation COMBO

- Up to 8 units.
- Alternance for uniform pump wearing.
- Master or slave replacement in case of failure to ensure continuity of operation.





OLED display*

- Graphic OLED display with extended range of operating temperature and wide viewing angle.
- Easy reading of main parameters and alarms.
- Led indication for stand-by, run and alarm conditions.
- Complete programming through smartphone.

* OLED display available on request in the course of 2021.

Several control modes:

- Constant pressure control.
- Constant or proportional differential pressure control.
- Constant temperature control.
- Constant differential temperature control.
- Constant flow control.
- External frequency control (trimmer) or 1 or 2 preset frequencies control.

Built-in protections against:

- Overvoltage and undervoltage.
- Overcurrent and no load.
- Dry running.
- Overtemperature.



EMC compatibility for residential environment on single phase models:

- Integrated PFC (P.F. 1) to meet EN61000-3-2
- Integrated input filter for Category C1 (EN61800-3), Class B (EN55011)
- Integrated input filter for Category C2 (EN61800-3), Class A (EN55011) on three phase models

Advanced motor controls:

- Next generation control of asynchronous motors.
- Sensorless control of permanent magnet synchronous motors.

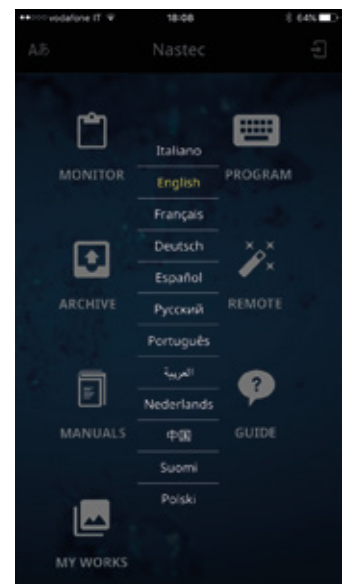
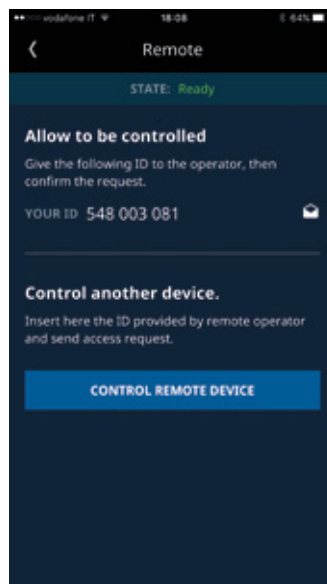
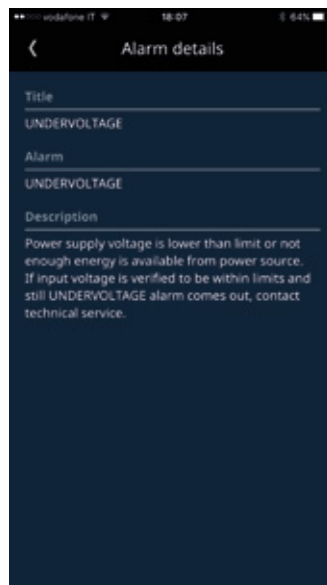
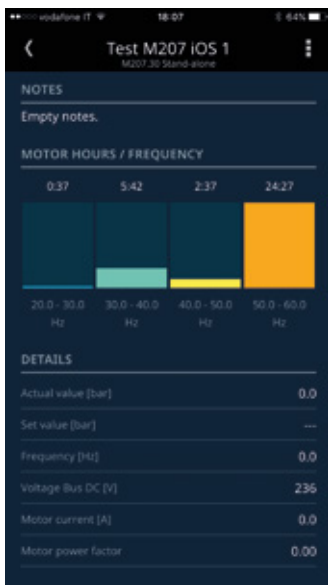




Unmatched user experience

Thanks to Nastec NOW App it's possible to communicate with all Nastec devices Bluetooth® SMART in order to:

- Monitor multiple operating parameters simultaneously on the wide, high definition, coloured screen of your smartphone or tablet.
- Get statistics of energy consumption and check alarms history.
- Make programs, save them in the archive, copy them to other devices and share them among multiple users.
- Perform reports with the possibility to insert notes, images and email them or keep them into the digital archive.
- Remotely control, via wi-fi or GSM, a Nastec device, using a smartphone nearby as a modem.



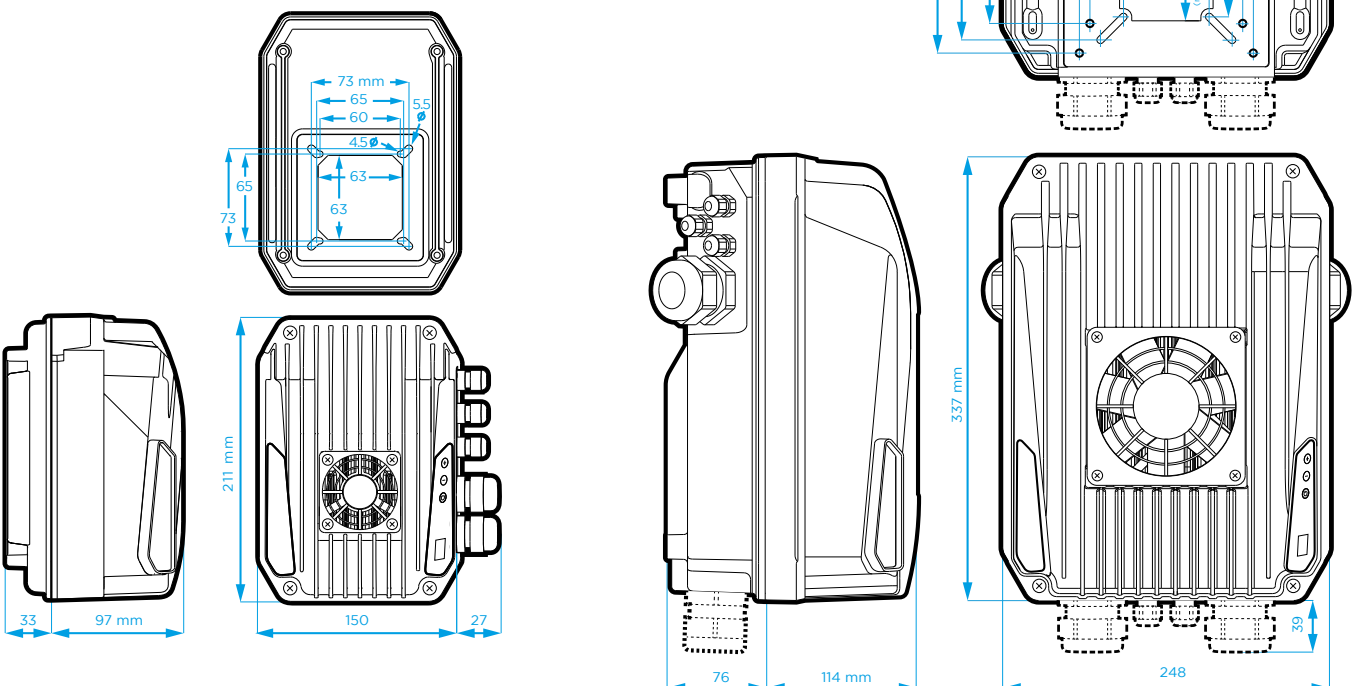
Technical specifications

Model	Vin ± 15% VAC	Max V out VAC	Max I in A	Max I out A	P2 motor power * kW	Size
MIDA 203	1 x 230	3 x Vin	4,5	3	0,55	1
MIDA 205	1 x 230	3 x Vin	7,5	5	1,1	1
MIDA 207	1 x 230	3 x Vin	11	7,5	1,5	1
MIDA 304	3 x 230	3 x Vin	3,7	4	0,75	1
MIDA 306	3 x 230	3 x Vin	5,4	6	1,1	1
MIDA 309	3 x 230	3 x Vin	8	9	2,2	1
MIDA 314	3 x 230	3 x Vin	13,5	14	3	2
MIDA 318	3 x 230	3 x Vin	17,5	18	4	2
MIDA 325	3 x 230	3 x Vin	24	25	5,5	2
MIDA 330	3 x 230	3 x Vin	29	30	7,5	2
MIDA 338	3 x 230	3 x Vin	36,5	38	9,3	2
MIDA 344	3 x 230	3 x Vin	42	44	11	2
MIDA 404	3 x 380 - 460	3 x Vin	3,7	4	1,1	1
MIDA 406	3 x 380 - 460	3 x Vin	5,4	6	2,2	1
MIDA 409	3 x 380 - 460	3 x Vin	8	9	4	1
MIDA 414	3 x 380 - 460	3 x Vin	13,5	14	5,5	2
MIDA 418	3 x 380 - 460	3 x Vin	17,5	18	7,5	2
MIDA 425	3 x 380 - 460	3 x Vin	24	25	11	2
MIDA 430	3 x 380 - 460	3 x Vin	29	30	15	2
MIDA 438	3 x 380 - 460	3 x Vin	36,5	38	18,5	2
MIDA 444	3 x 380 - 460	3 x Vin	42	44	22	2

* Typical motor power. It is recommended to refer to rated motor current when selecting the MIDA model.

General specifications

- Rated frequency: 50 - 60 Hz (+/- 2%)
- Ambient temperature: - 10 - 40°C (14 - 104 °F)
- Max. altitude at rated current: 1000 m
- Protection degree: IP66 (NEMA 4X)
- Settable digital outputs N.O. or N.C.:
 1. Motor run signal
 2. Alarm signal
- Analog inputs (10 or 15 VDC):
 1. 4 - 20 mA
 2. 4 - 20 mA
 3. 0 - 10 VDC
 4. 0 - 10 VDC
- 4 digital inputs, configurable N.O. or N.C. for motor run/stop
- RS485 MODBUS RTU, Bluetooth® SMART* (4.0)



Nastec srl

Via della Tecnica 8
36048 Barbarano Mossano
Vicenza - Italy

tel +39 0444 886289
fax+39 0444 776099
info@nastec.eu

nastec.eu



> we move it faster >