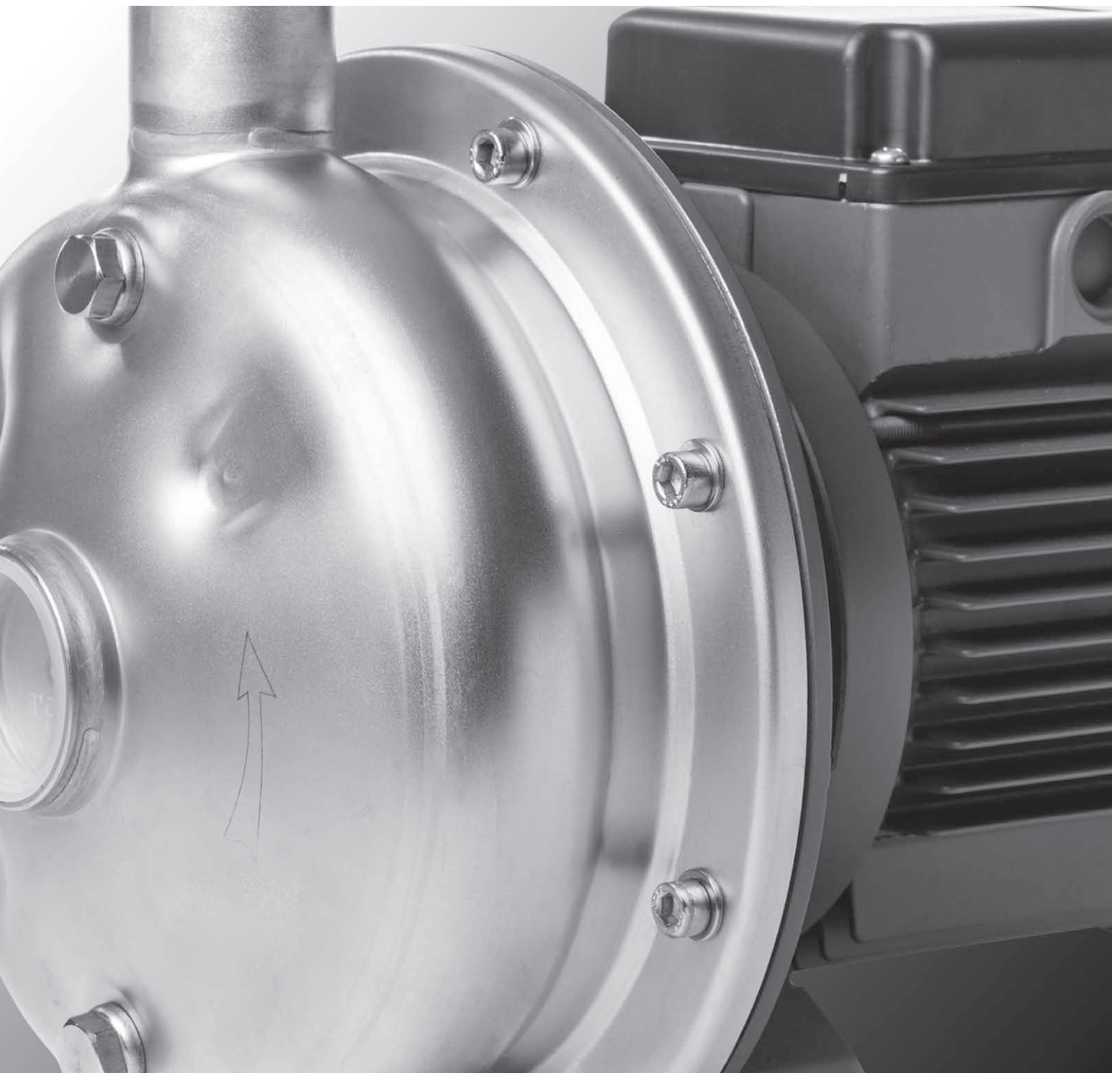


**KI**

STAINLESS-STEEL CENTRIFUGAL PUMP



**KI**

**STAINLESS-STEEL CENTRIFUGAL PUMP**



**TECHNICAL DATA**

**Operating range:** flow rate up to 11 m<sup>3</sup>/h, with head up to 40 meters  
**Pumped liquid:** clean, free of solids and abrasives, non-viscous, non-aggressive, non-crystallised and chemically neutral, with properties similar to water.  
**Liquid temperature range:** from -10°C to +90°C  
**Maximum ambient temperature:** +40°C  
**Maximum operating pressure:** 8 bar  
**Protection class:** IP 55  
**Insulation class:** F  
**Standard Voltage:**  
 single-phase 220-230 V 50 Hz  
 three-phase 230 / 400 V 50Hz  
**Installation:** horizontal or vertical position, provided that the motor is always above the pump.  
**Special executions on requests:**  
**V version:** Alox Ceramic/Carbon/FKM: for oily liquids (up to 110°C) and propylene glycol  
**VS version:** SiC/SiC/FKM: for oily liquids (up to 110°C) and fluids with abrasive particles  
**E version:** SiC/Carbon/EPDM: high temperature water up to 120 °C and ethylene glycol

**APPLICATIONS**

Single-impeller stainless steel end suction centrifugal pump, suitable for thermal waters, industrial washing, civil and industrial pressure boosting (cold, hot, refrigerated liquid).

**CONSTRUCTION FEATURES OF THE PUMP**

The Pump body and impeller in stainless steel AISI 304 make the pump more resistant to the corrosion, reliable and compact. The support in aluminium and the mechanical seal in Carbon Ceramic and NBR complete the hydraulic part of the pump. The pump is MEI comply.

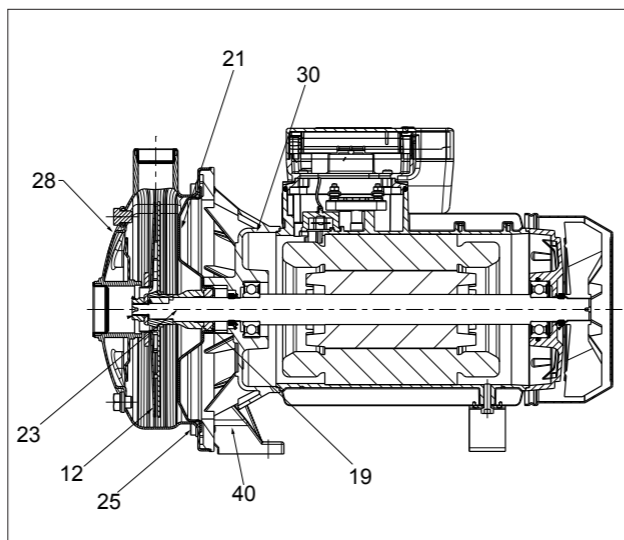
**CONSTRUCTION FEATURES OF THE MOTOR**

Closed asynchronous type, external ventilation cooling.  
 Rotor running on ball bearings, oversized to ensure low noise and durability.  
 Standard built-in thermo-amperometric protection. Capacitor permanently fitted on single phase versions.  
 For the protection of the three-phase motor, we recommend the use of remote overload cut-outs, in compliance with current local regulations.  
 Construction according to CEI 2-3.  
 Three-phase IE2 motors as standard.

**MATERIALS**

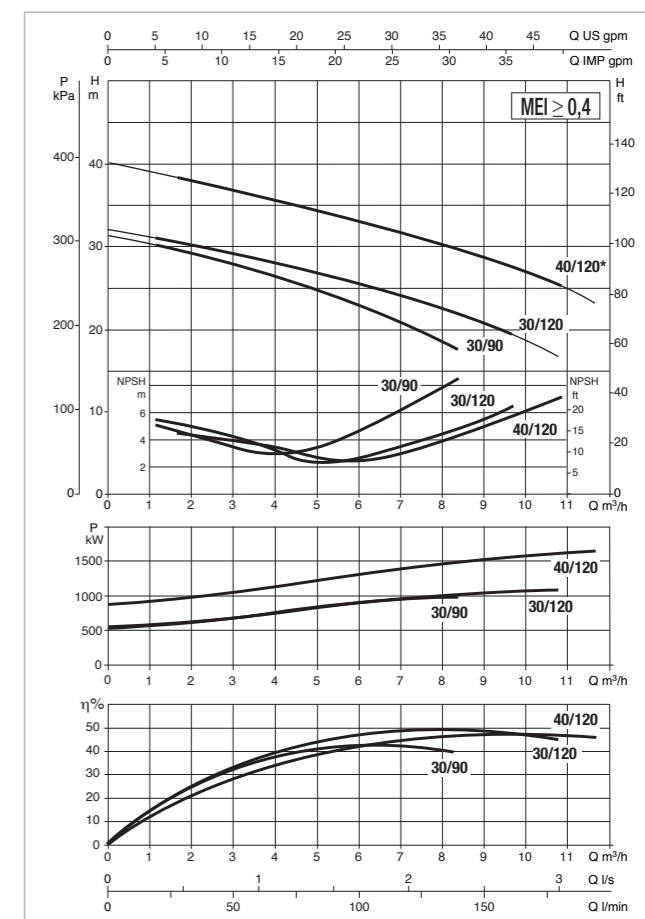
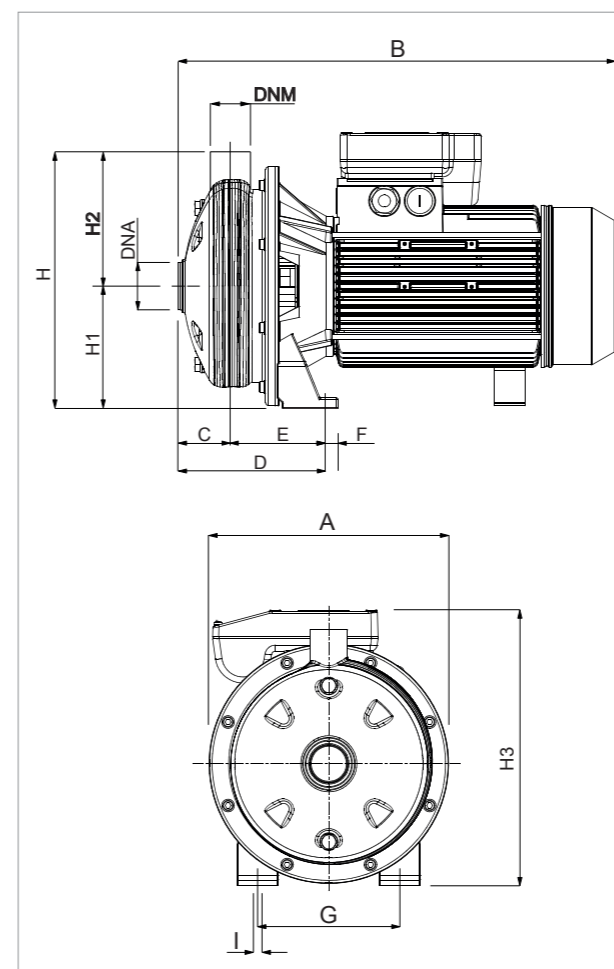
N°	PART	MATERIALS
28	PUMP BODY	STAINLESS STEEL AISI 304
12	IMPELLER	STAINLESS STEEL AISI 304
19	MECHANICAL SEAL (*)	CARBON/CERAMIC/NBR/AISI316
21	MECHANICAL SEAL DISC	STAINLESS STEEL AISI 304
25	O-RING	NBR
23	PUMP SHAFT	STAINLESS STEEL AISI 303
30	MOTOR CASE	ALUMINIUM
40	MOTOR SUPPORT	ALUMINIUM

(\*) Special mechanical seal:  
 Alox Ceramic/Carbon/FKM - SiC/SiC/FKM - SiC/Carbon/EPDM



**KI - STAINLESS-STEEL CENTRIFUGAL PUMP**

Liquid temperature range: from -10°C to +90°C - Maximum operating pressure: 8 bar



The performance curves are based on kinematic viscosity values = 1 mm<sup>2</sup>/s and density equal to 1000 kg/m<sup>3</sup>. Curve tolerance according to ISO 9906.

MODEL	l/min	0	20	50	80	90	110	130	140	160	180	195
		m <sup>3</sup> /h	0	1,2	3	4,8	5,4	6,6	7,8	8,4	9,6	10,8
KI 30/90 M	H (m)	31,4	30,1	27,8	25,1	24,0	21,7	19,0	17,5			
KI 30/120 M		32,0	30,7	28,9	27,0	26,3	24,8	22,8	21,6	19,2	16,5	
KI 30/120 T		32,0	30,7	28,9	27,0	26,3	24,8	22,8	21,6	19,2	16,5	
KI 40/120 M *		40,3	39,1	37,2	35,2	34,5	33,0	31,3	30,4	28,5	26,4	23,0

\* Model not MEI comply, only for Extra UE market.

MODEL	POWER INPUT 50 Hz	P1 max kW	POWER P2		In A	CAPACITOR		MEI
			kW	Hp		uF	Vc	
KI 30/90 M	1x220-230 V	1,4	0,75	1	6,5	25	450	≥ 0,4
KI 30/120 M	1x220-230 V	1,55	1	1,36	7	25	450	≥ 0,4
KI 30/120 T	3x230 / 400 V	1,45	1	1,36	5 / 2,9	-	-	≥ 0,4
KI 40/120 M *	1x220-230 V	2,2	1,5	2	9,7	40	450	-

\* Model not MEI comply, only for Extra UE market.

MODEL	A	B	C	D	E	F	G	H	H1	H2	H3	ø I	DNA	DNM	PACKING DIMENSIONS			GROSS WEIGHT Kg	PALLET Q.TY
															L/A	L/B	H		
KI 30/90 M	214	337	53	143,5	90,5	13	130	232	108	124	-	9	1"1/4 G	1" G	400	240	275	13,4	27
KI 30/120 M	214	337	53	143,5	90,5	13	130	232	108	124	-	9	1"1/4 G	1" G	400	240	275	13,4	27
KI 30/120 T	214	354	53	143,5	90,5	13	130	232	108	124	-	9	1"1/4 G	1" G	400	240	275	13,8	27
KI 40/120 M *	236	432	53	146,5	93,5	13	140	252	120	132	272	9	1"1/4 G	1" G	500	300	315	19,6	18

\* Model not MEI comply, only for Extra UE market.

# DNA<sup>®</sup>

PUMPS SELECTOR



## On-line product selection



**DAB PUMPS LTD.**

Unit 4 and 5, Stortford Hall Industrial Park,  
Dunmow Road,  
Bishops Stortford,  
Herts  
CM23 5GZ - UK  
salesuk@dwtgroup.com  
Tel. +44 1279 652 776  
Fax +44 1279 657 727



**DAB PUMPS IBERICA S.L.**

Avenida de Castilla nr.1 Local 14  
28830 - San Fernando De Henares - Madrid  
Spain  
info.spain@dwtgroup.com  
Tel. +34 91 6569545  
Fax: +34 91 6569676



**DAB PUMPS INC.**

3226 Benchmark Drive  
Ladson, SC 29456 - USA  
info.usa@dwtgroup.com  
Tel. 1-843-824-6332  
Toll Free 1-866-896-4DAB (4322)  
Fax 1-843-797-3366



**DAB PUMPS B.V.**

Brusselstraat 150  
B-1702 Groot-Bijgaarden - Belgium  
info.belgium@dwtgroup.com  
Tel. +32 2 4668353  
Fax +32 2 4669218



**DAB PRODUCTION HUNGARY KFT.**

H-8800  
Nagykanizsa, Buda Ernő u.5  
Hungary  
Tel. +36 93501700



**DWT SOUTH AFRICA**

Podium at Menlyn,  
3rd Floor, Unit 3001b, 43 Ingersol Road,  
C/O Lois and Atterbury street,  
Menlyn, Pretoria, 0181 - South-Africa  
info.sa@dwtgroup.com  
Tel. +27 12 361 3997  
Fax +27 12 361 3137



**DAB PUMPS B.V.**

Albert Einsteinweg, 4  
5151 DL Drunen - Nederland  
info.netherlands@dwtgroup.com  
Tel. +31 416 387280  
Fax +31 416 387299



**DAB PUMPS POLAND Sp. z o.o.**

Mokotów Marynarska  
ul. Postępu 15C  
02-676 Warszawa - Poland  
polska@dabpumps.com.pl  
Tel. +48 223 816 085



**DAB PUMPS CHINA**

No.40 Kaituo Road, Qingdao Economic & Technological  
Development Zone  
Qingdao City, Shandong Province - China  
PC: 266500  
info.china@dwtgroup.com  
Tel. +8653286812030-6270  
Fax +8653286812210



**DAB UKRAINE Representative Office**

Regus Horizon Park  
4 M. Hrinchenka St, suit 147  
03680 Kiev - Ukraine  
Tel. +38 044 391 59 43



**DAB PUMPEN DEUTSCHLAND GmbH**

Tackweg 11  
D - 47918 Tönisvorst - Germany  
info.germany@dwtgroup.com  
Tel. +49 2151 82136-0  
Fax +49 2151 82136-36



**OOO DAB PUMPS**

Novgorodskaya str. 1, block G  
office 308, 127247, Moscow - Russia  
info.russia@dwtgroup.com  
Tel. +7 495 122 0035  
Fax +7 495 122 0036



**DAB PUMPS DE MÉXICO, S.A. DE C.V.**

Av Gral Álvaro Obregón 270, oficina 355  
Hipódromo, Cuauhtémoc 06100  
México, D.F.  
Tel. +52 55 6719 0493